

SelectGloss™ 17E, 20E



PARTS LIST

Kent MODELS 56183025, 56183030

KENT

11/01 revised 6/05 FORM NO. 56042421

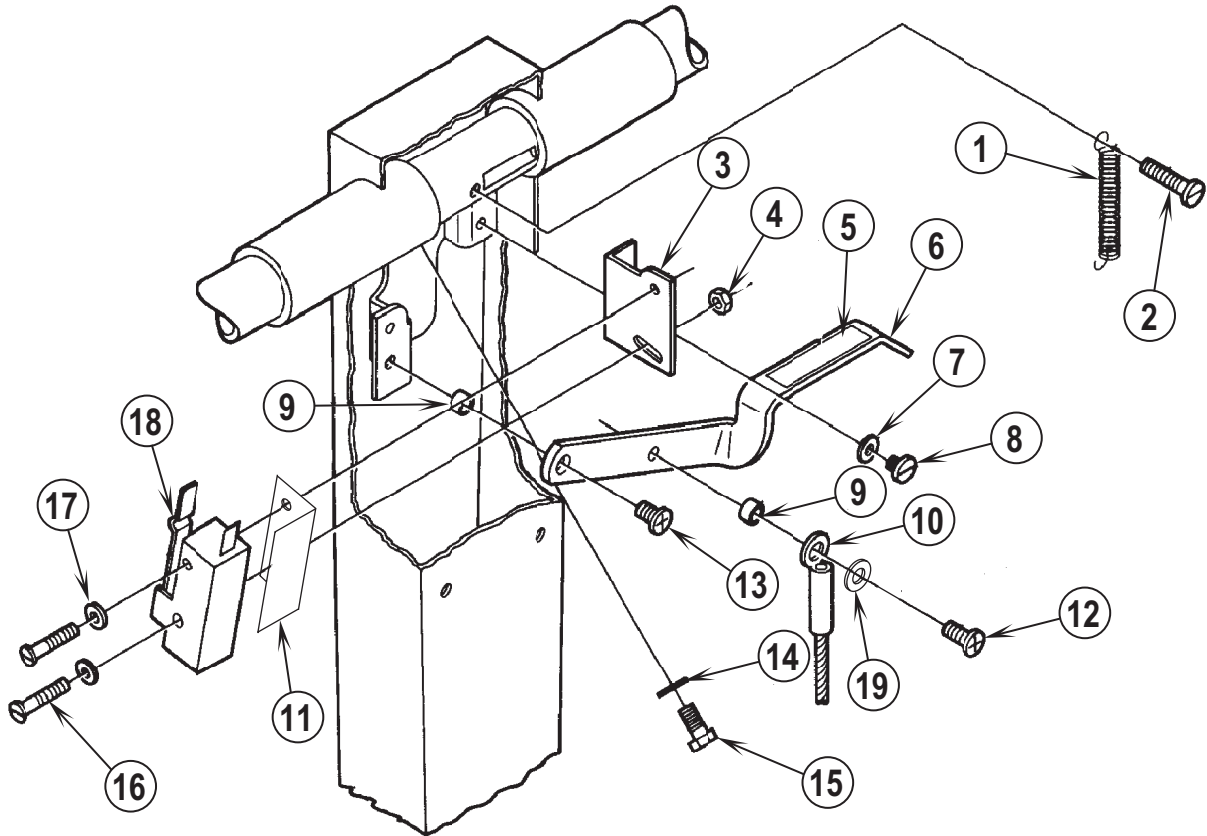
DESCRIPTION	Page
Handle Assembly-Front View	2-3
Handle Assembly -Rear View.....	4-5
Base Assembly	6-7
Wiring Diagram	8-9

WHEN ORDERING PARTS

- * Use the 8 digit numbers from the "Ref. No." columns in this parts list.
- * Specify the model and serial number of the machine.
- * Use the space below to record the model and serial number for future reference.

Model _____ Serial No. _____

Item	Ref. No.	Qty	Description
	56183133	1	Handle Assembly
1	56183129	1	Handle Weld't.
2	56014924	1	Decal, Warning
3	56001854	1	Scr, Hex Hd 1/4-20 x .50
*	56002840	1	Nut, Hex Nyl Loc-Thin 1/4-20
*	56002098	1	Wsh, Fit SAE 1/4
4	56171343	1	Handle Tube
5	56388545	2	Hand Grip
6	56172275	1	Collar
	56172321	1	Collar Assy (#6-9)
7	56003129	1	Pin
8	56201405	1	Knob
9	56172217	1	Pin
10	56171279	1	Plunger
11	56201448	1	Spring
12	56171281	1	Bushing
16	56183141	1	Cord Set
17	56109630	1	Strain Relief
	56109632	1	Brass Insert for 56109630
18	56171093	1	Washer
19	56009095	1	Nut, Conduit Loc 1/2-14
20	56153699	4	Button Plug
22	56002877	1	Nut, Hex Nyl Loc SS 8-32
23	56171269	1	Bushing
24	56171361	1	Spring
25	56171132	1	Plunger
26	56171373	1	Cable
27	56001851	1	Scr, Rd Drive #4-40 x .25
28	56382818	1	Strain Relief
30	56183003	1	Cord Set
	56171112	1	Cord Hook Assembly (#31-35)
31	56009005	1	Scr, Pan Phil SS Type B 10-16 x .75
32	56009096	1	Wsh, Flt .193 x .875 x .060
33	56171110	1	Arm
34	56171111	1	Base
35	56380732	1	Spring
36	56009030	4	Scr, Pan Phil Thd Form 10-24 x .38
37	56172273	1	Cover
38	56014828	1	Decal, Warning
39	56002003	1	Scr, Pan Phil 8-32 x .50
40	56009148	1	Nut, Hex 8-32
41	56009051	3	Scr, Pan Phil Thd Form#8-32 x .38
43	56014326	1	Decal, Important
44	56009010	1	Wsh, Int Shprf #8



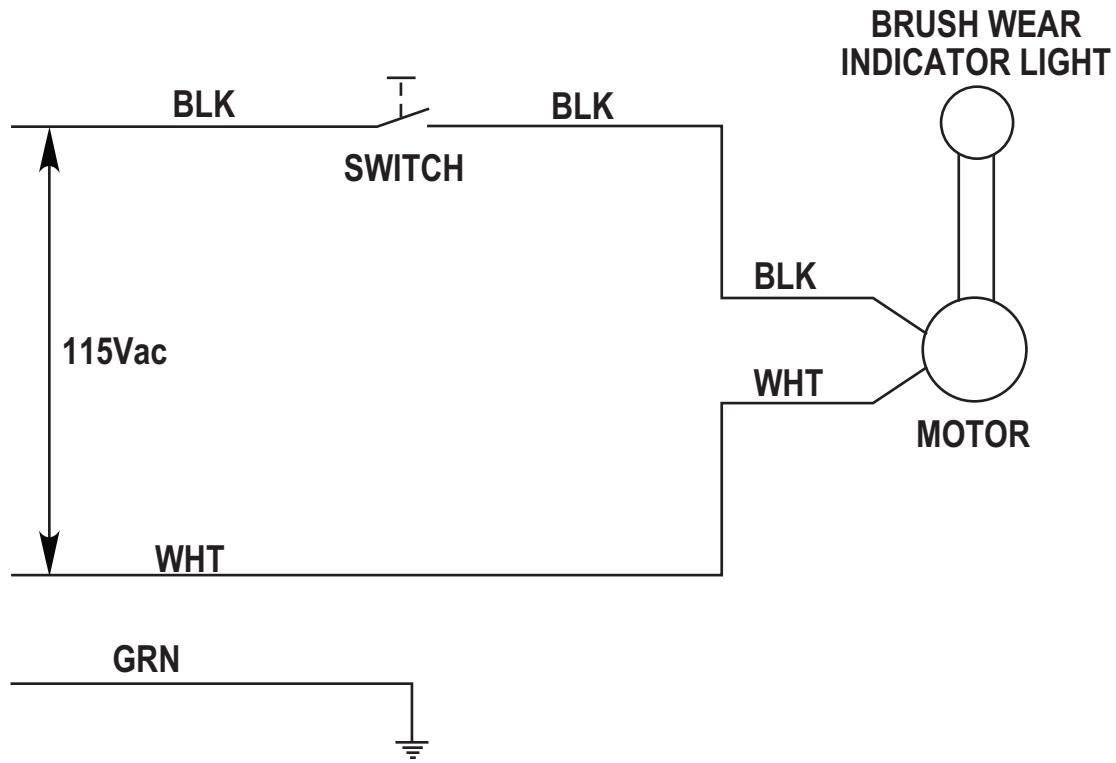
Item	Ref. No.	Qty	Description
1	56445177	1	Spring
2	56009034	1	Scr, Pan Phil Thd Form #8-32 X .88
3	56171209	1	Bracket
4	56002746	1	Nut, Hex Nyl Loc SS #4-40
5	56014856	1	Decal, Handle
6	56171126	1	Lever
7	56009010	2	Wsh, Int Shprf #8
8	56009051	2	Scr, Pan Phil Thd Form #8-32 X .38
9	56151092	2	Spacer
10	56171373	1	Cable
11	56183608	1	Insulation, Switch
12	56009082	1	Scr, Pan Phil Thd Form #10-24 X .50
13	56009030	1	Scr, Pan Phil Thd Form #10-24 X .38
14	56009052	2	5/16 Shakeproof Washer
15	56234079	1	Scr, Machined Shank 1/4-20 X .50
16	56003104	2	Scr, Hex Hd #4-40 X 1.00
17	56009171	2	#4 Shakeproof Washer
18	56385615	1	Switch
*	56321311	1	Receptacle Flag
*	56321338	1	Insulator
19	56009125	1	Wsh, Bowed
*	56321737	1	Wire Nut
*	56478246	1	Cable Tie

* = Not Shown

Item	Ref. No.	Qty	Description	Item	Ref. No.	Qty	Description
1	56015032	1	Decal, SelectGloss 17E	31	56009096	2	Wsh, Flt .193 x .875 x .060
	56015025	1	Decal, SelectGloss 20E	32	56009042	2	Scr, Pan Phil Thd Form 10-24 x .62
2	56183138	1	Shroud, Cover	33	56009033	2	Scr, Hex Thd Form 1/4-20 x .50
3	56009082	3	Scr, Pan Phil Thd Form Blk 10-24 x .50	34	56003073	1	Scr, Hex Loc 5/16-18 x 1.00
4	56180032	1	Filter	35	56002794	2	Scr, Pan Phil 5/16-18 x 1.00
5	56009029	4	Scr, Pan Phil Thd Form 10-24 x .50	36	56009079	2	Scr, Flt Phil Thd Form 1/4-20 x .75
6	56183571	1	Screen Weldment	37	56183553	1	Axle Weld't.
7	56183137	1	Shroud, Motor 17"	38	56183518	1	Catch, Handle
	56183724	1	Shroud, Motor 20"	39	56002701	2	Nut, Hex Nyl Loc 5/16-18
8	56249527	1	Indicator Light 115V	40	56001939	2	Wsh, Flt SAE 5/16
9	56015104	1	Decal, Brush Wear Light	41	56003238	1	Key, Sq .19 x .78
10	56185504	1	Strain Relief	42	56009022	1	Wsh, Flt .752 / .756 x 1.25 x .125
11	56183021	1	Spring, Torsion 17"	43	56388525	1	Pad Holder Assy, 17"
	56183521	1	Spring, Torsion 20"		56388254	1	Pad Holder Assy, 20"
12	56183522	2	Pin, Pivot	44	56009057	1	Wsh, Flt HDN .344 x 1.00 x .12
13	56367168	2	Bearing Sleeve				
14	56391113	2	Bearing Flange	*	56014004	1	Decal, Wiring Diagram 115Vac
15	56183575	1	Motor 115V, 1.5HP				
*	56183577	1	Armature (w/bearings)	**	56505554	1	Burnishing Brush (Union Mix) 17"
*	56183563	1	Carbon Brush (set of 4)	**	56505551	1	Burnishing Brush (Union Mix) 20"
*	56183580	1	Spring, Set of 4	**	56505550	1	Burnishing Brush (Tampico) 20"
*	56378380	1	Bearing, Top End	**	56388354	A/R	Burnishing Pads, Case of 5 20"
*	56372773	1	Bearing, Shaft End	**	56393567	1	Pad Retainer (included with #43)
*	56183579	1	Brush Board Assy (includes Brushes, Springs)				
16	56183130	1	Skirt Housing 17"				
	56183722	1	Skirt Housing 20"				
17	56009103	2	Nut, Hex Jam 3/8-24				
18	56002063	2	Wsh, Flt SAE 3/8				
19	56183556	2	Bracket				
20	56183593	2	Axle				
21	56183552	4	Wheel				
22	56002032	2	Scr, Soc Hd 1/4-20 x .62				
23	56003585	1	Wsh, Flt .282 x .875 x .036				
24	56155381	4	Wsh, Spring .437				
25	56002055	4	Wsh, Flt Std 3/8				
26	56183568	2	Spacer, Serrated				
27	56002098	4	Wsh, Flt SAE 1/4				
28	56009018	2	Scr, Hex Thd Form 1/4-20 x .75				
29	56183022	1	Bumper, 17"				
	56183544	1	Bumper, 20"				
30	56002948	3	Scr, Hex Loc 1/4-20 x .75				

* = Not Shown

** = Optional



Item	Ref. No.	Qty	Description
	56385615	1	Switch
	56183575	1	Motor 115V, 1.5HP
*	56183577	1	Armature (w/bearings)
*	56183563	1	Carbon Brush (set of 4)
*	56183580	1	Spring, Set of 4
*	56378380	1	Bearing, Top End
*	56372773	1	Bearing, Shaft End
*	56183579	1	Brush Board Assy (includes Brushes, Springs)
	56249527	1	Brush Wear Indicator Light

* = Not Shown

KENT

14600 21st Avenue North
Plymouth, MN, 55447-3408
www.kenturoclean.com
Phone: 800-334-1083
Fax: 866-261-4779
©2005 Printed in the U.S.A.